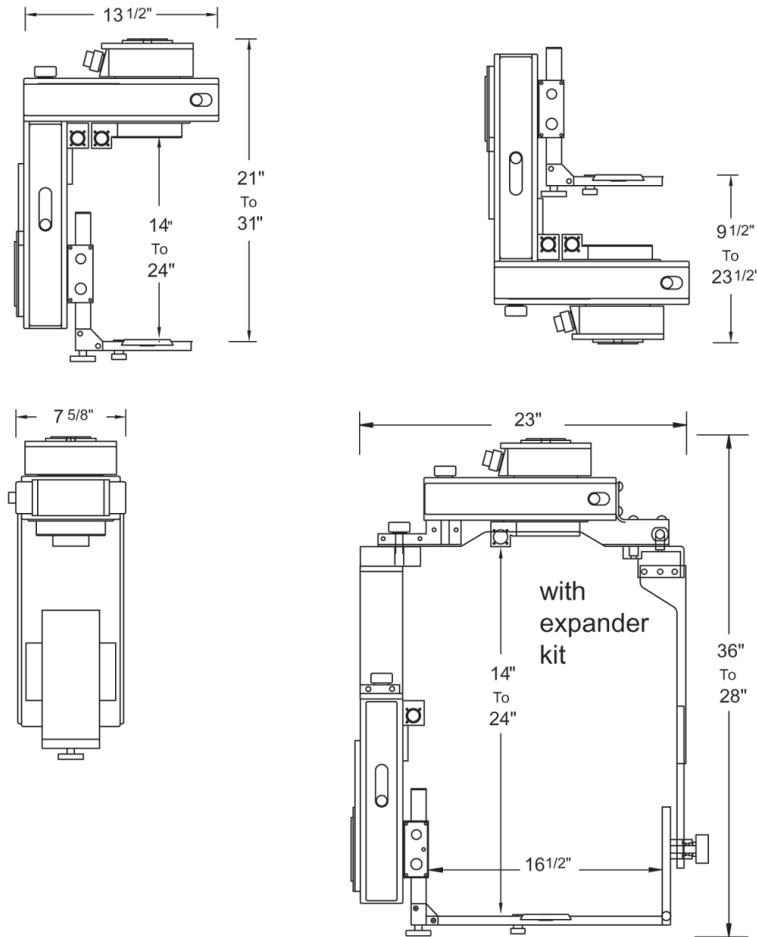


## MINI-MOTE 2-AXIS REMOTE HEAD



## Technical Specs

### Head Axes

Pan & Tilt: 360° continuous, 0-150°/sec.  
Overslung-Underslung-Horizontal

### Head Weight

44 lbs.

### Max. Camera Weight

60 lbs. or 190 lbs. with expander kit

### Head Control

Wheels, joystick, pan-bar

### Lens Control

Preston FI+Z

### Environmental

-22° F to 120° F

### Power Requirements

18-28 VDC (3A max)  
Generator, battery, AC

### Setup Time

30 minutes

### Technician Required

Yes, or trained A.C.

### Cameras Accepted

All film, video and HI-DEF

### Wireless

3rd party microwave, RF, etc.